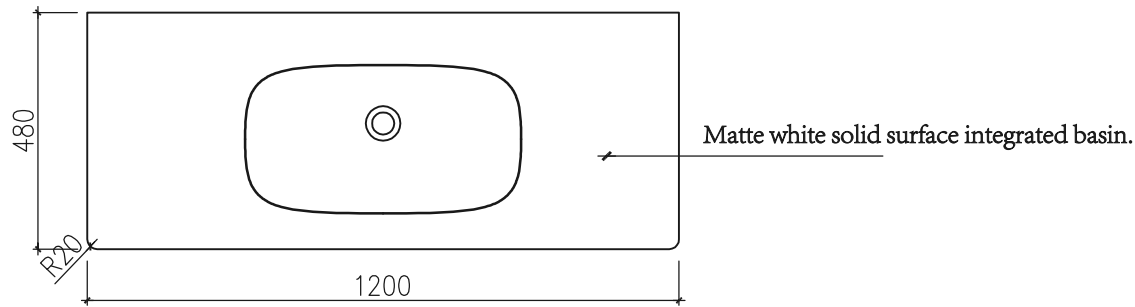


Front View

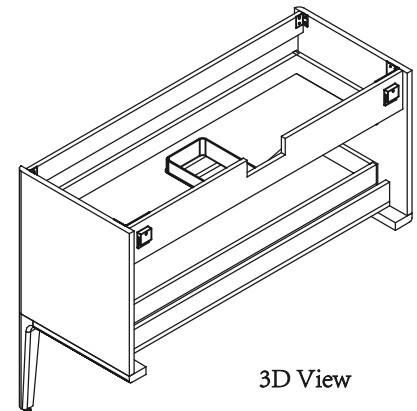
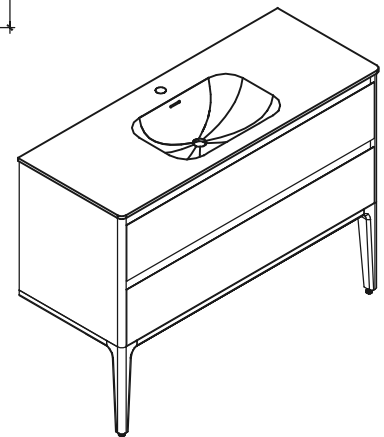
Side View



Top View

Specifications:

1. The material is E1 grade plywood;
2. 350 Unihopper full extension soft-closing rail;
3. Cabinet color M104/ME002, Metal drawer box, aluminium cut-out part, drawer bottom board texture material;
4. Conventional corner code, metal U groove 250*160;
5. Size tolerance ± 2 ;



3D View